

FAQ # 3

What's the best way to fasten UMB to wood studs?

Solutions:

Nails:

The quickest way to fasten to wood is using a nail gun. The minimum size should be a 1 ¼" - 16 gauge finish nail, two at each stud. Set the air pressure so the head of the pin creates a slight dent (set) in the UMB flange. Other nail choices are appropriate, if the head is tight to the flange, and does not interfere with the installation of drywall and the base molding later. Nails should be centered in the top and bottom guidelines that are ¼" (6mm) from the top and bottom edge of the UMB.

See Figure 1 Below:

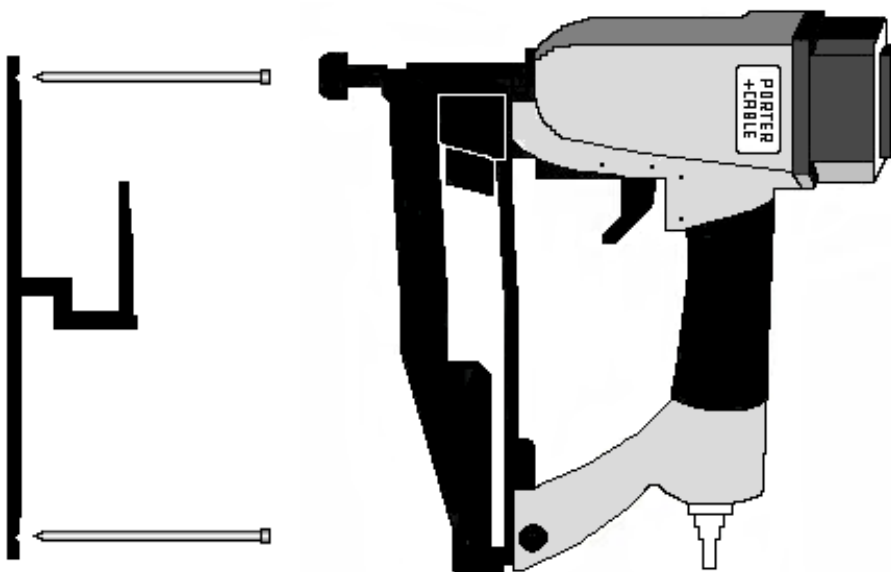


Figure 1

Shows the correct placement of nails in the UMB

Follow all standard industry safety procedures. Wear safety glasses.

For Further Information See:

FAQ #1 Determining the Height to Install the UMB

FAQ #4 Fastening to Metal Framing

FAQ #5 Aluminum Cutting Basics

Screws:

Screws can be a good choice for installation on wood framing.

Screw Selection:

The screws must be selected carefully. It is very important that the screw heads **DO NOT** protrude out from the UMB flange so that they do not interfere with dry-wall and baseboard installation. Therefore a thin Pan-Head or Modified Truss-Head screw must be used. Try a #8 x 3/4" to see how it works. Try installing a piece of base and drywall as a test. Do they install correctly?

Screws should be centered in the top and bottom guidelines that are 1/4" (6mm) from the top and bottom edge of the UMB.

See Figures 2 and 3 Below:

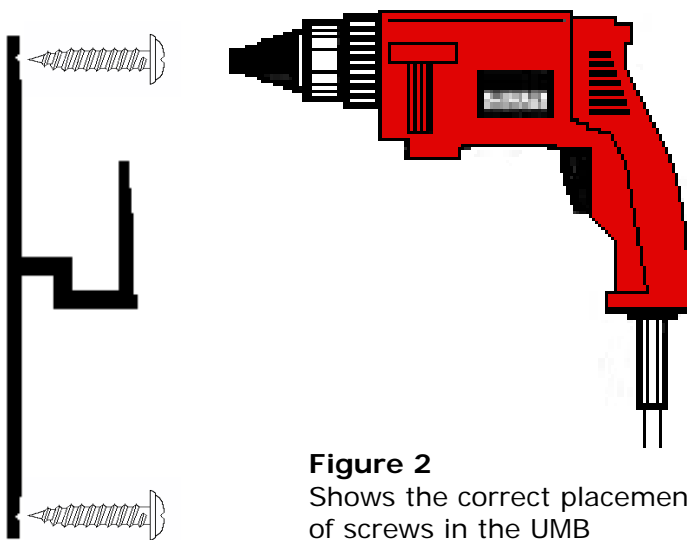


Figure 2
Shows the correct placement of screws in the UMB

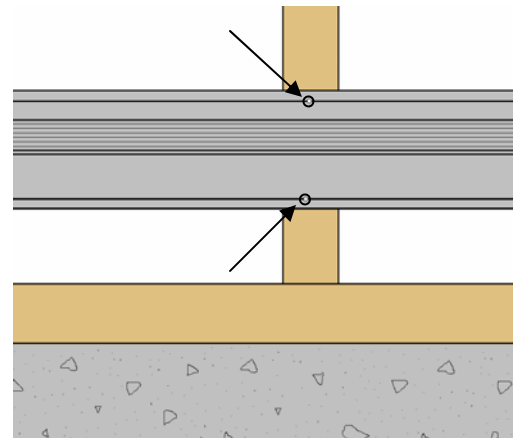


Figure 3
Fastener location (front view)
Two in each stud

Follow all standard industry safety procedures. Wear safety glasses.

For Further Information See:

FAQ #1 Determining the Height to Install the UMB

FAQ #4 Fastening to Metal Framing

FAQ #5 Aluminum Cutting Basics