



## **CURTAIN TRACK AND ROLL PLEAT INSTALLATION GUIDE**

**Before we get started please review these important guidelines.**

- 1) Transparent Blue tape on track is for shipping purpose only. Once track is installed and a test carrier has been tested for proper function you must re-apply painters tape or any other tape of your choice covering slot completely. Please note masking tape is not recommended it can be very difficult to remove. This step is critical in keeping dust, debris and drywall mud out of the track. If drywall mud or debris does get inside it can be very hard to remove and can be catastrophic when the time comes to install drapery.
- 2) Never put lubricated solvents such as automotive grease inside track. This can attract dust and ruin function of carriers.
- 3) Using the tapered edge of drywall is recommended when installing drywall under track fin, but in certain circumstances you may need a cut edge. If this is your choice of installation you must use a cut edge on both sides of track to eliminate the track from twisting or tilting due to uneven surfaces.
- 4) If Track is cut and going to be jointed to a radius or another track you must file burr on the inside of track to insure smooth carrier function at joint. Splices available upon request.



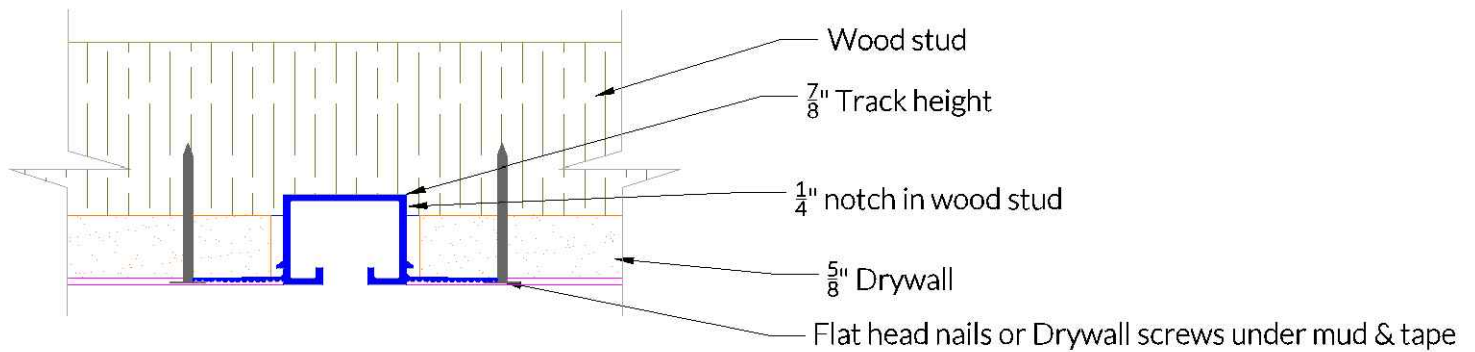
## **CURTAIN TRACK AND ROLL PLEAT INSTALLATION GUIDE**

For all Curtain Track products, regardless of finish, we recommend using a latex or acrylic bonder on the surface of screed fins and as an alternative to water when mixing plaster. This is to insure proper adhesion to curtain track.

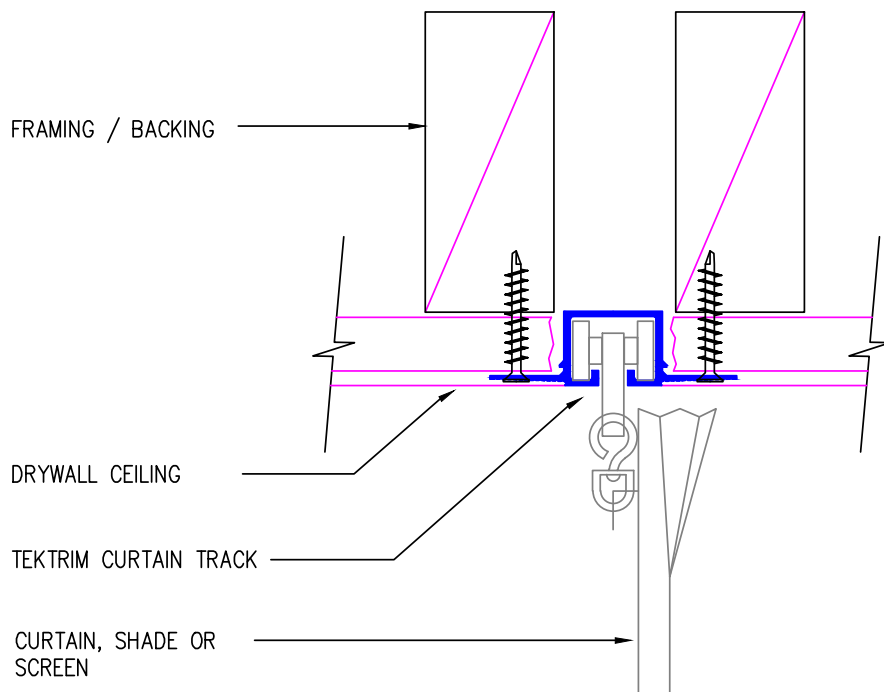
# Tektrim®

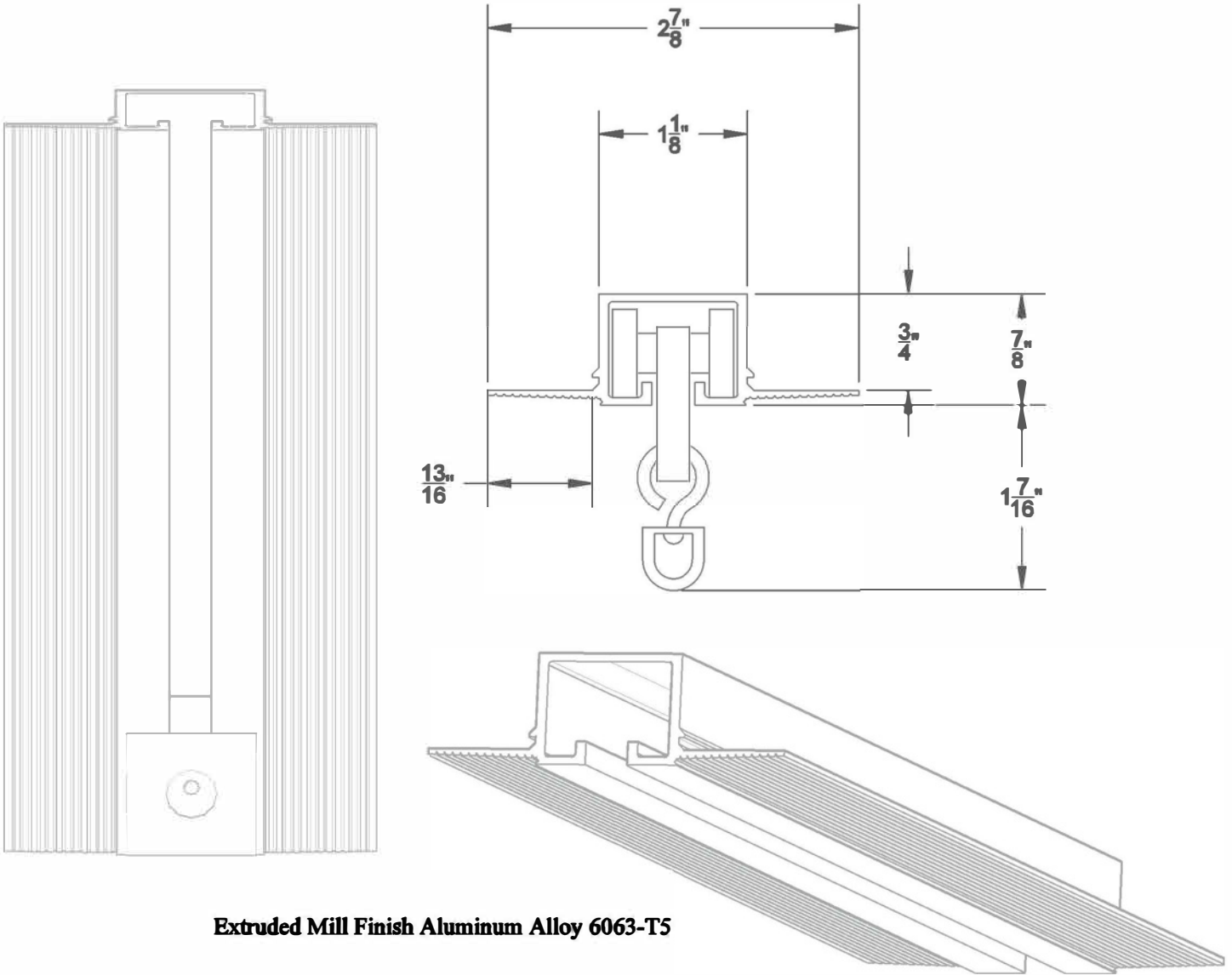
## CURTAIN TRACK AND ROLL PLEAT INSTALLATION GUIDE

### Installation Application #1



### Installation Application #2





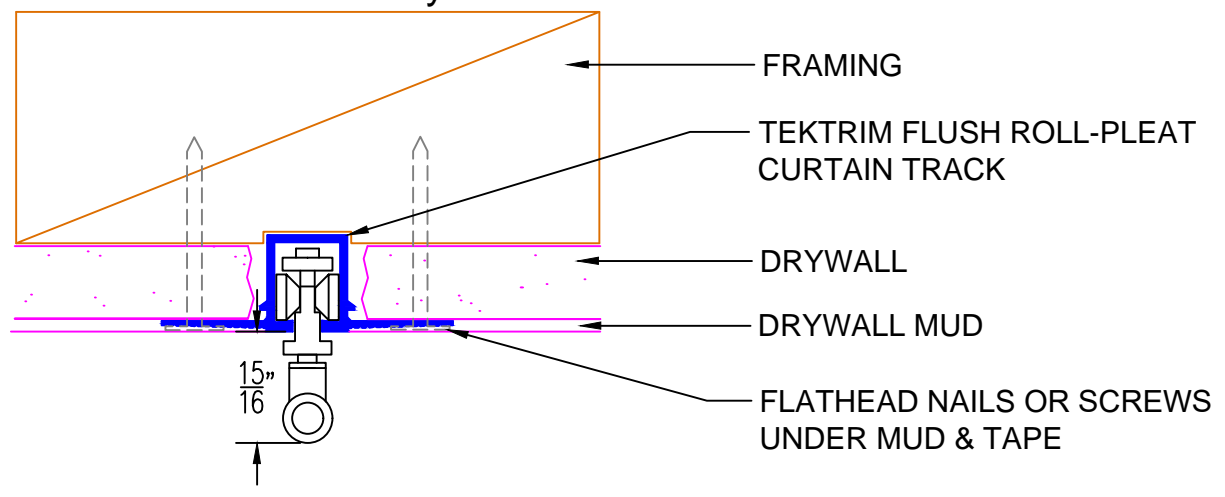
# Tektrim Curtain Track

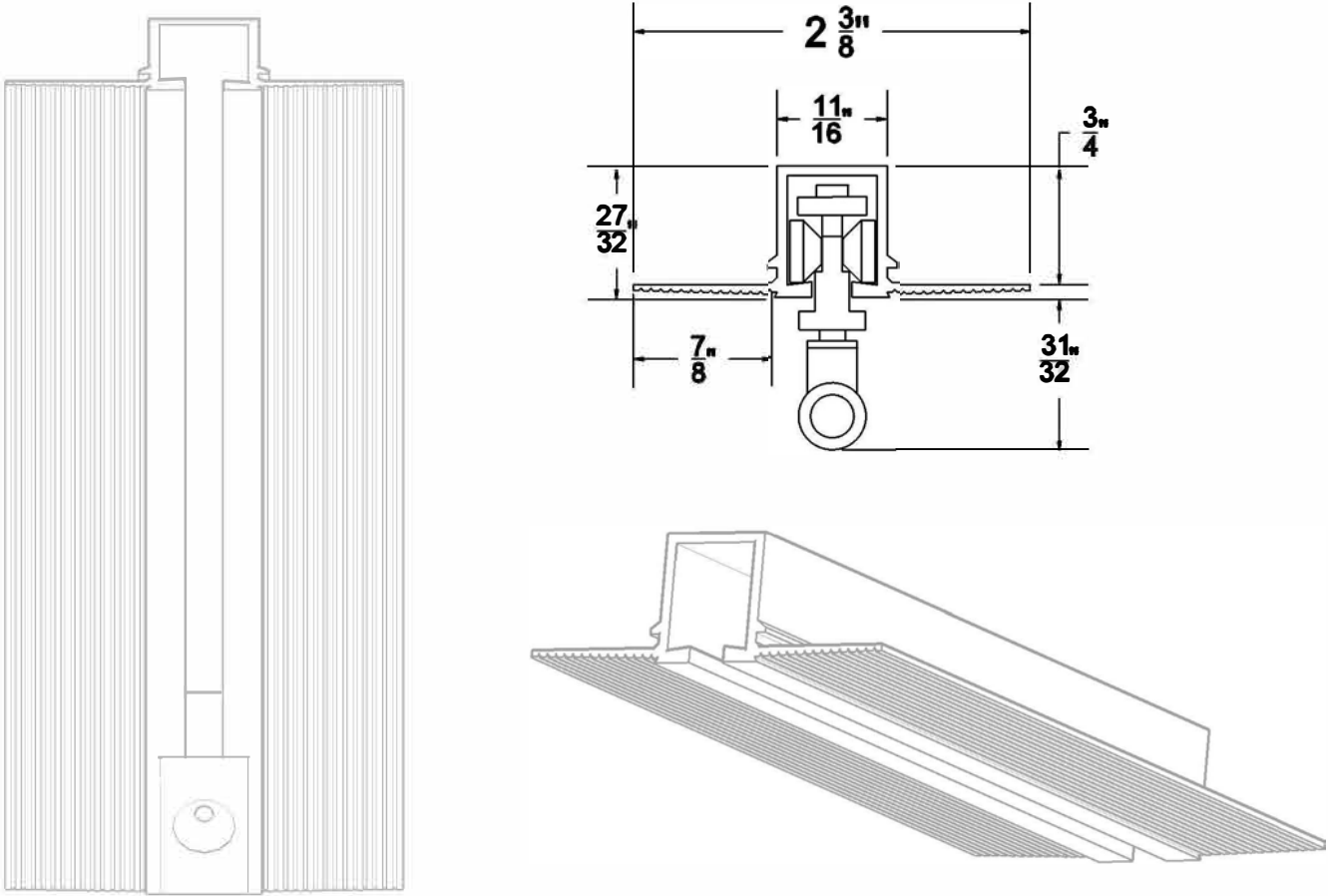
TEKTRIM CORP. 15000 S Avalon Blvd. Suite I Gardena, CA 90248 [www.tektrim.com](http://www.tektrim.com)

# Tektrim®

## ROLL-PLEAT CURTAIN TRACK

Extruded Aluminum Alloy 6063-T5





Extruded Mill Finish Aluminum Alloy 6063-T5

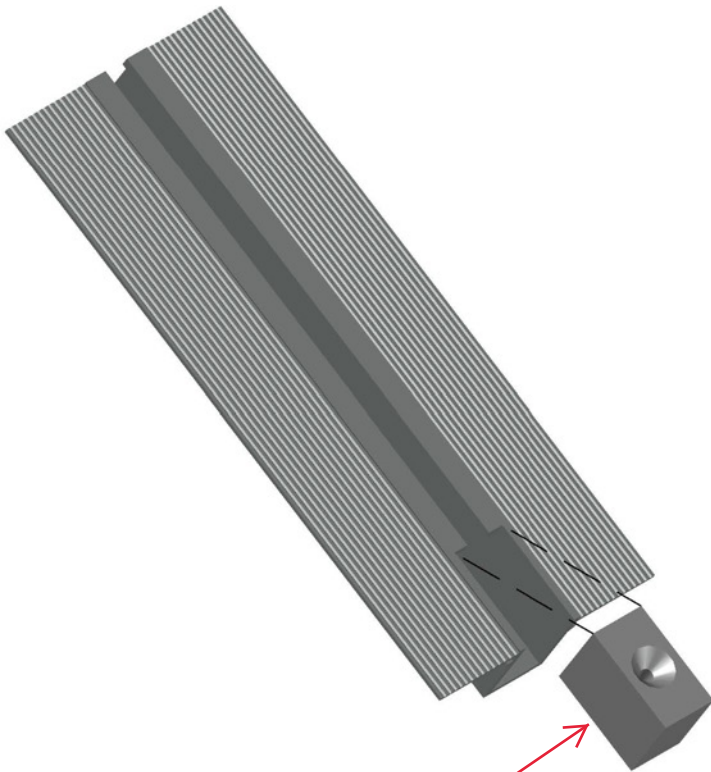
**Tektrim** ROLL-PLEAT CURTAIN TRACK

TEKTRIM CORP. 15000 S Avalon Blvd. Suite I Gardena, CA 90248 [www.tektrim.com](http://www.tektrim.com)

# Tektrim®

## Curtain Track Block install

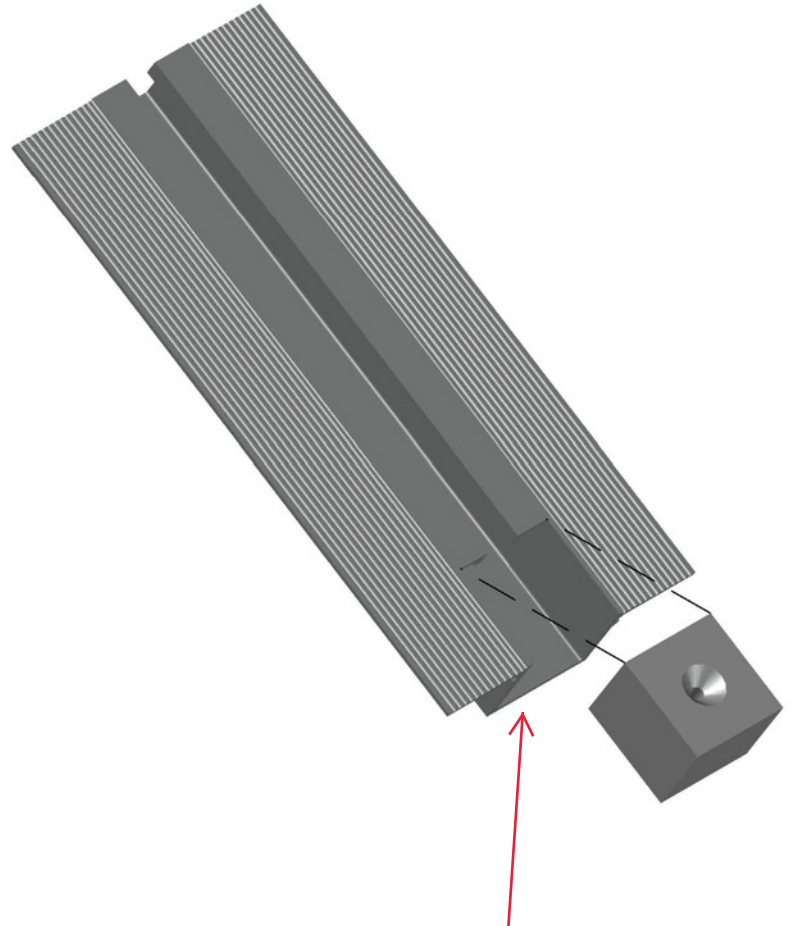
Roll-Pleat Track



Carrier Access Block

Note\* Block is attached with provided screw and gets plastered and painted over once carriers are installed.

Standard Curtain Track



Access hole for carrier install and removal

Note \*Machined on one or both ends depending on length of track.

- 1) Start by ensuring all components are present.
- 2) Determine location and layout of the track. The track is 7/8" tall so accommodations for the nesting will be critical to the finish drywall ceiling.
- 3) Add blocking to suit for parallel joist positions.
- 4) Check for debris and damage prior to and after installation.
- 5) If Track is cut and going to be jointed to a radius or another track you must file burr on the inside of track to insure smooth carrier function at joint. Splices Available upon request.
- 6) The carrier access block should be in placed in track slot when initial installation is implemented for a proper fit in the finish and screw should not be over tightened.
- 7) Straight line track in blocking using string or straight line to eliminate twisted or bowed curtain track.
- 8) Once the track is fastened, remove blue shipping tape and run a test carrier through the track to check for the absence of debris, proper function and any issues that may have occurred during installation. Then you must re-apply painters tape or any tape of your choice in order to keep debris and mud out of track. This step is critical for proper function.
- 9) The screed surface and track slot must be taped to prevent drywall mud and debris from being captured inside of the track. It is recommended to use a latex bonder (glue) on the metal taping flange and adjacent drywall to ensure bonding of the mud.
- 10) Fiberglass screen tape has been preferred by many drywall finishers to bridge the two surfaces.
- 11) After a preliminary sanding to the taped surface, remove the protective tape and continue to sand down to the track screed surface.
- 12) Clean track, primer and paint as desired.
- 13) Remove carrier access block, install carriers, reinstall carrier access block with screw, patch and touch up.

**If you have any further questions please Contact Tektrim at**

**1-888-999-0216  
310-921-6042 (local)**