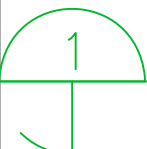
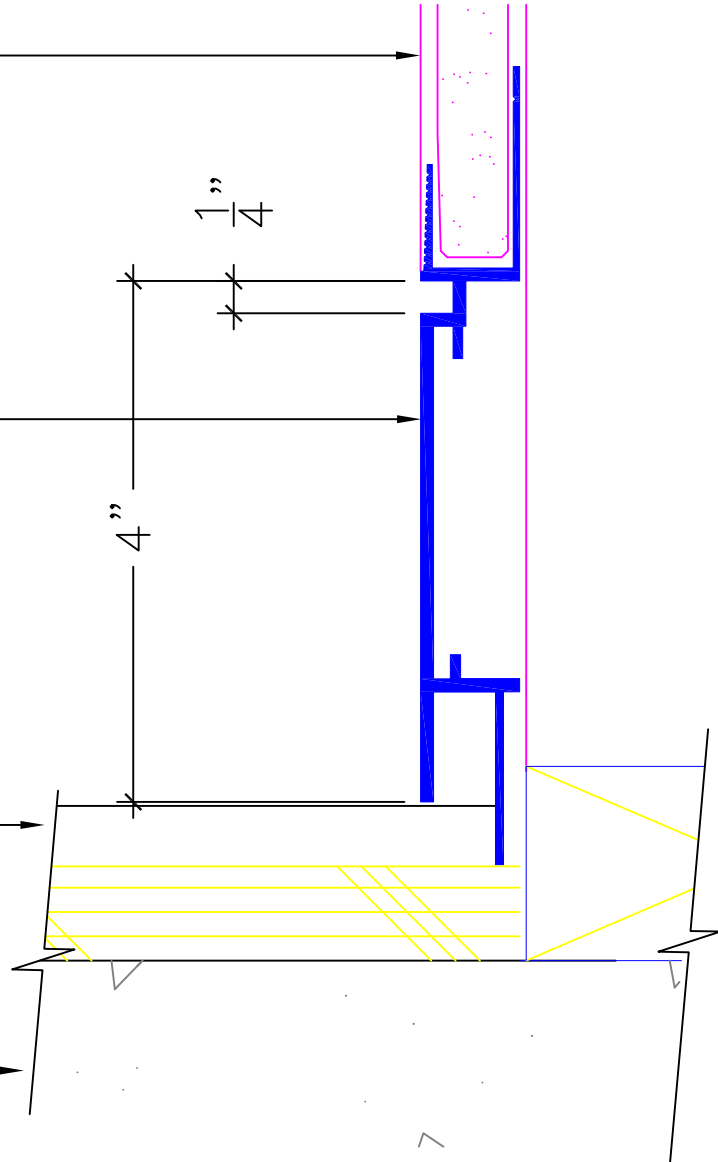


DRYWALL, FINISH PER SCHEDULE

TEKTRIM FLUSH BASE WITH 1/4" REVEAL

FINISH FLOOR

SUBFLOOR



TEKTRIM BASE with 1/4" Reveal

SCALE: 6" = 1'-0" Extruded Aluminum Alloy 6063-T5